

bhi

NEDSP1062-KBD

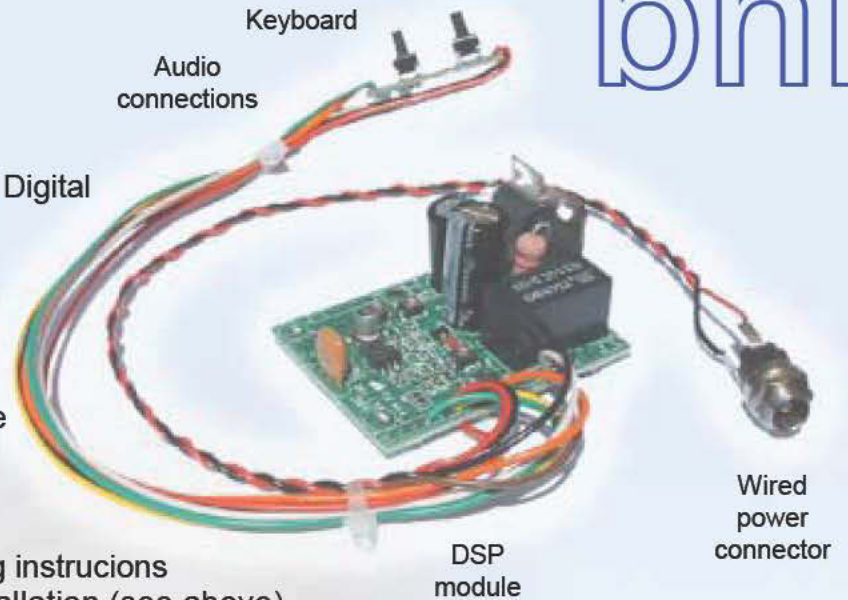
**Amplified DSP Noise Cancellation
PCB module**



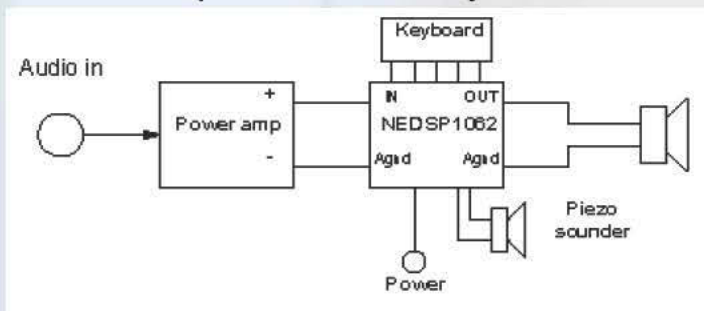
**Turn your speaker into an amplified
DSP noise cancelling speaker
with this easy to fit module**

Description:

The **NEDSP1062-KBD amplified DSP module** enables you to add DSP noise cancellation to existing loudspeaker or audio system. The module incorporates Digital Signal Processing (DSP) technology to provide up to 35dB of noise cancellation and 65dB of tone reduction. The module features an on board power amplifier to allow it to be easily incorporated into existing equipment by installing the module in line with the loudspeaker.



The module is supplied prewired with fitting instructions and a 2.1mm power socket ready for installation (see above).



Installation block diagram

Installation:

The 1062-KBD module is easily integrated inside the loudspeaker. The module simply connects inline with the loudspeaker.

Features:

- 8 levels of noise cancellation (selectable)
- Audio bypass when switched off
- Simple keyboard operation
- Virtually no distortion to the speech
- Input and output level controls
- 3 Watts output (4 Ohm)
- Frequency response 50Hz - 4.3KHz
- Visual and audible indication of DSP level
- Small size 37 x 50mm (DSP module)
- 12 - 18V DC voltage supply range
- Easy to install
- Supplied with complete fitting kit, labels, fused DC power lead and full fitting instructions.

Ordering Information:

Order code: NEDSP1062-KBD.

Order code: NEDSP1061-PCB - Basic PCB version suitable for commercial applications. Connections are made via the 0.1" pitch connections on the side of the pcb. See the website for more information.

**bhi Ltd, 22 Woolven Close, Burgess Hill
West Sussex, RH15 9RR England.**

Tel: +44 (0)1444 870333

Email sales@bhi-ltd.com - Web: www.bhi-ltd.com



Typical DSP installation

