

bhi NEIS-RM Intercom Positioning Diagram

The following diagram (**Figure 7-1**) shows the locations of the NEIS microphone and intercom speaker when used with the HI-ART or other treatment systems.

Microphone Location

Option 1: Suspended from ceiling approximately 1 inch (2.54 cm) in front of the gantry and in line with the inside roof of the gantry.

Option 2 (Preferred): Mounted on the inside roof of the gantry approximately 6 inches or more (15.2 cm) from the front.

Removable plastic cable clips attached to the roof are used to mount the microphone. to allow for easy removal during maintenance.

Intercom Speaker Location:

Mounted on vault wall behind gantry opening, approximately 1 ft (30.48 cm) below the top of the gantry and no more than 3.28 ft (1Metre) from the back of the gantry. (Gap can be larger depending on the vault/room room acoustics). Note: Audio path needs be clear between patient & speaker

Note: The microphone can also be mounted in the optional microphone stand NEIS-MICSTD. This allows the user to place the NEIS-MIC close to the patients mouth and then remove easily for maintenance purposes.

Preferred position approx 6 inches or more inside the roof gantry for when patients are moved inside the gantry for treatment. Mic should be fixed using a small removable plastic cable tie to allow for easy removal during maintenance.

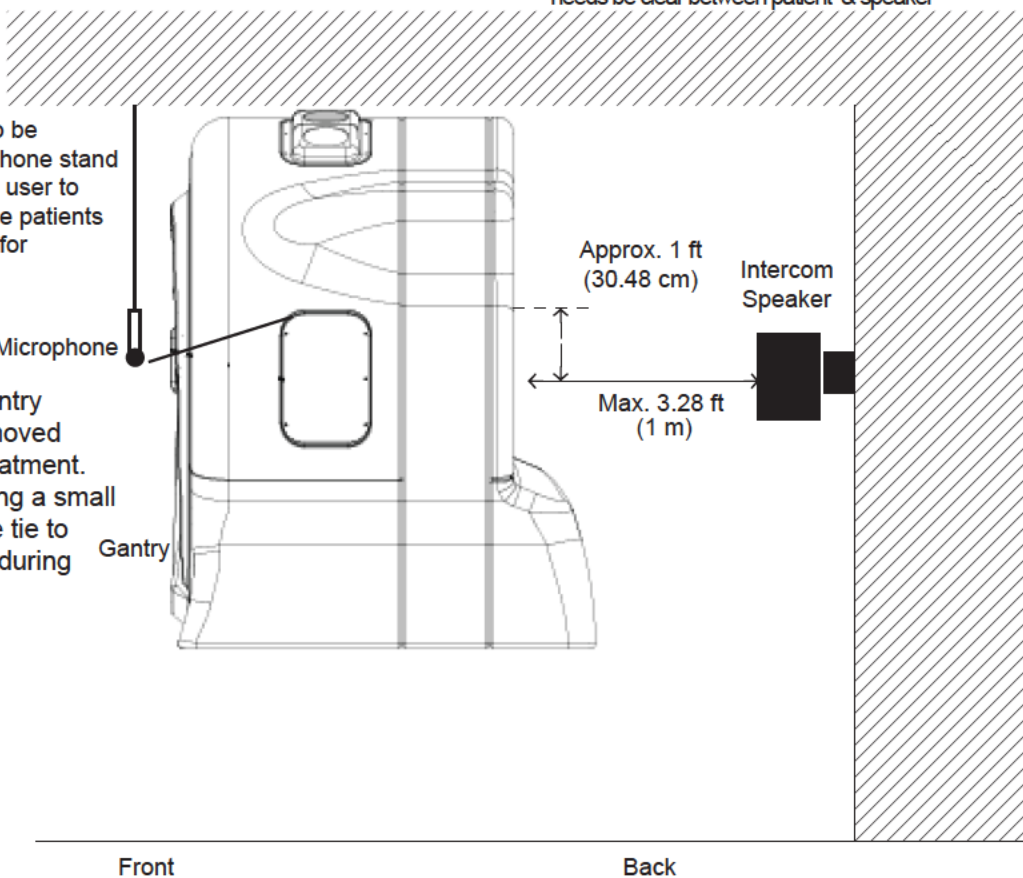


Figure 7-1 . NEIS SPKR & MIC Positioning Diagram