

## bhi NEIS-RM Intercom Positioning Diagram

The following diagram (**Figure 7-1**) shows the locations of the NEIS microphone and intercom speaker when used with the HI·ART or other treatment systems.

### Microphone Location

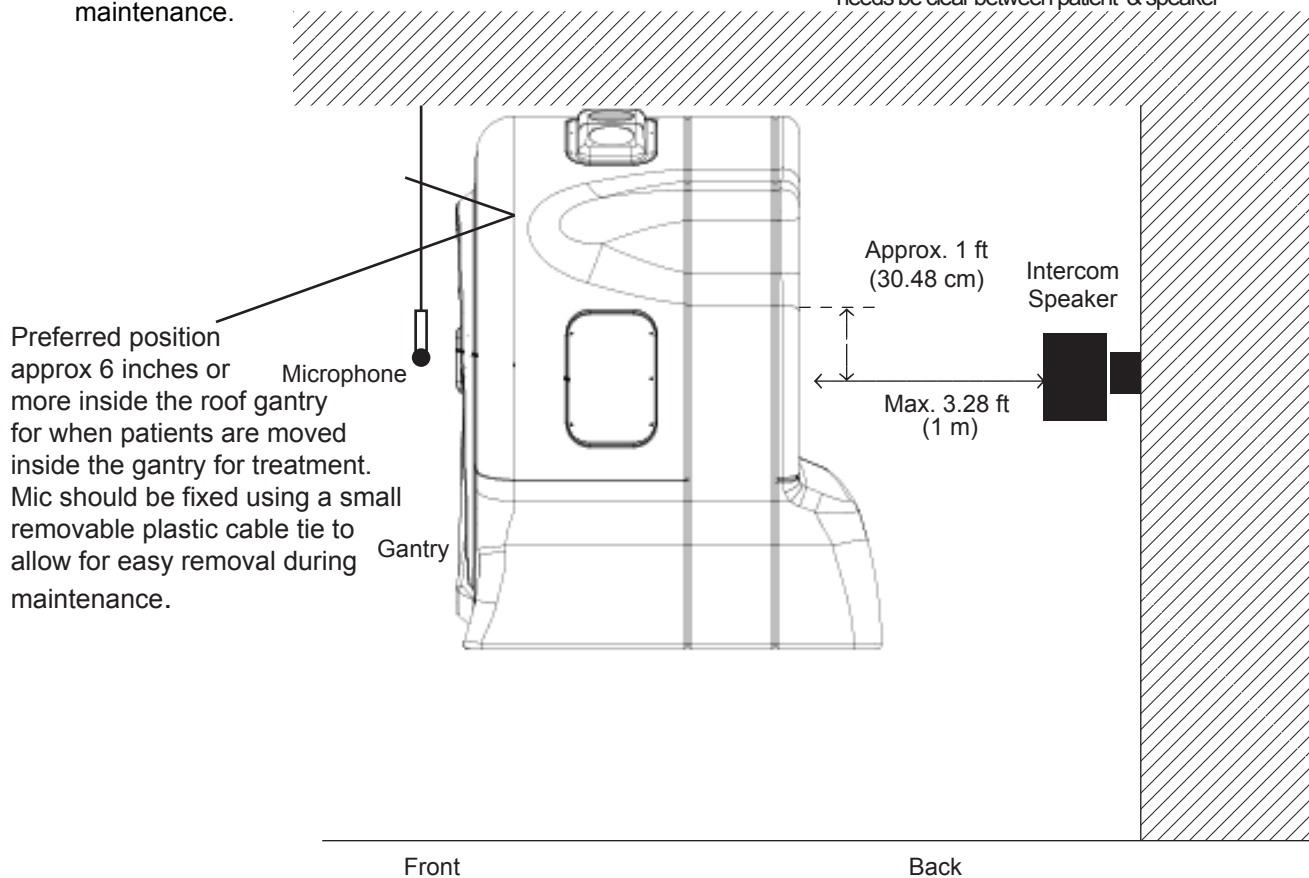
Option 1: Suspended from ceiling approximately 1 inch (2.54 cm) in front of the gantry and in line with the inside roof of the gantry.

Option 2 (Preferred): Mounted on the inside roof of the gantry approximately 6 inches or more (15.2 cm) from the front.

Removable plastic cable clips attached to the roof are used to mount the microphone. to allow for easy removal during maintenance.

### Intercom Speaker Location:

Mounted on vault wall behind gantry opening, approximately 1 ft (30.48 cm) below the top of the gantry and no more than 3.28 ft (1Metre) from the back of the gantry. (Gap can be larger depending on the vault/room room acoustics). Niote: Audio path needs be clear between patient & speaker



**Figure 7-1 . NEIS SPKR & MIC Positioning Diagram**